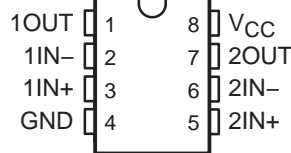


# LM158, LM158A, LM258, LM258A LM358, LM358A, LM2904, LM2904V DUAL OPERATIONAL AMPLIFIERS

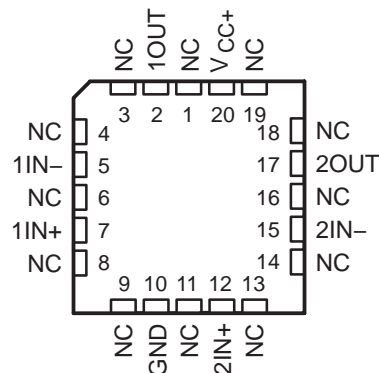
SLOS068P – JUNE 1976 – REVISED SEPTEMBER 2004

- **Wide Supply Range:**
  - Single Supply . . . 3 V to 32 V (26 V for LM2904)
  - or Dual Supplies . . .  $\pm 1.5$  V to  $\pm 16$  V ( $\pm 13$  V for LM2904)
- **Low Supply-Current Drain, Independent of Supply Voltage . . . 0.7 mA Typ**
- **Common-Mode Input Voltage Range Includes Ground, Allowing Direct Sensing Near Ground**
- **Low Input Bias and Offset Parameters:**
  - Input Offset Voltage . . . 3 mV Typ  
A Versions . . . 2 mV Typ
  - Input Offset Current . . . 2 nA Typ
  - Input Bias Current . . . 20 nA Typ  
A Versions . . . 15 nA Typ
- **Differential Input Voltage Range Equal to Maximum-Rated Supply Voltage . . . 32 V (26 V for LM2904)**
- **Open-Loop Differential Voltage Amplification . . . 100 V/mV Typ**
- **Internal Frequency Compensation**

LM158, LM158A . . . JG PACKAGE  
LM258, LM258A . . . D, DGK, OR P PACKAGE  
LM358 . . . D, DGK, P, PS, OR PW PACKAGE  
LM358A . . . D, DGK, P, OR PW PACKAGE  
LM2904 . . . D, DGK, P, PS, OR PW PACKAGE  
(TOP VIEW)



LM158, LM158A . . . FK PACKAGE  
(TOP VIEW)



NC – No internal connection

## description/ordering information

These devices consist of two independent, high-gain, frequency-compensated operational amplifiers designed to operate from a single supply over a wide range of voltages. Operation from split supplies also is possible if the difference between the two supplies is 3 V to 32 V (3 V to 26 V for the LM2904), and  $V_{CC}$  is at least 1.5 V more positive than the input common-mode voltage. The low supply-current drain is independent of the magnitude of the supply voltage.

Applications include transducer amplifiers, dc amplification blocks, and all the conventional operational amplifier circuits that now can be implemented more easily in single-supply-voltage systems. For example, these devices can be operated directly from the standard 5-V supply used in digital systems and easily can provide the required interface electronics without additional  $\pm 5$ -V supplies.



Please be aware that an important notice concerning availability, standard warranty, and use in critical applications of Texas Instruments semiconductor products and disclaimers thereto appears at the end of this data sheet.

PRODUCTION DATA information is current as of publication date. Products conform to specifications per the terms of Texas Instruments standard warranty. Production processing does not necessarily include testing of all parameters.

 **TEXAS  
INSTRUMENTS**

POST OFFICE BOX 655303 • DALLAS, TEXAS 75265

Copyright © 2004, Texas Instruments Incorporated  
On products compliant to MIL-PRF-38535, all parameters are tested unless otherwise noted. On all other products, production processing does not necessarily include testing of all parameters.

**LM158, LM158A, LM258, LM258A  
LM358, LM358A, LM2904, LM2904V  
DUAL OPERATIONAL AMPLIFIERS**

SLOS068P – JUNE 1976 – REVISED SEPTEMBER 2004

**description/ordering information (continued)**

**ORDERING INFORMATION**

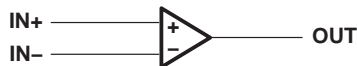
$T_A$	$V_{IOmax}$ AT 25°C	MAX TESTED $V_{CC}$	PACKAGE†		ORDERABLE PART NUMBER	TOP-SIDE MARKING
0°C to 70°C	7 mV	30 V	PDIP (P)	Tube of 50	LM358P	LM358P
			SOIC (D)	Tube of 75	LM358D	LM358
				Reel of 2500	LM358DR	
			SOP (PS)	Reel of 2000	LM358PSR	L358
			TSSOP (PW)	Tube of 150	LM358PW	L358
	Reel of 2000	LM358PWR				
	3 mV	30 V	MSOP/VSSOP (DGK)	Reel of 2500	LM358DGKR	M5_‡
			PDIP (P)	Tube of 50	LM358AP	LM358AP
				Tube of 75	LM358AD	
			SOIC (D)	Reel of 2500	LM358ADR	LM358A
Tube of 150				LM358APW		
TSSOP (PW)	Reel of 2000	LM358APWR	L358A			
MSOP/VSSOP (DGK)	Reel of 2500	LM358ADGKR	M6_‡			
-25°C to 85°C	5 mV	30 V	PDIP (P)	Tube of 50	LM258P	LM258P
			SOIC (D)	Tube of 75	LM258D	LM258
				Reel of 2500	LM258DR	
	MSOP/VSSOP (DGK)	Reel of 2500	LM258DGKR	M2_‡		
	3 mV	30 V	PDIP (P)	Tube of 50	LM258AP	LM258AP
			SOIC (D)	Tube of 75	LM258AD	LM258A
Reel of 2500				LM258ADR		
MSOP/VSSOP (DGK)	Reel of 2500	LM258ADGKR	M3_‡			
-40°C to 125°C	7 mV	26 V	PDIP (P)	Tube of 50	LM2904P	LM2904P
			SOIC (D)	Tube of 75	LM2904D	LM2904
				Reel of 2500	LM2904DR	
			SOP (PS)	Reel of 2000	LM2904PSR	L2904
			TSSOP (PW)	Tube of 150	LM2904PW	L2904
	Reel of 2000	LM2904PWR				
	MSOP/VSSOP (DGK)	Reel of 2500	LM2904DGKR	MB_‡		
	7 mV	32 V	SOIC (D)	Reel of 2500	LM2904VQDR	L2904V
			TSSOP (PW)	Reel of 2000	LM2904VQPWR	L2904V
	2 mV	32 V	SOIC (D)	Reel of 2500	LM2904AVQDR	L2904AV
TSSOP (PW)			Reel of 2000	LM2904AVQPWR	L2904AV	
-55°C to 125°C	5 mV	30 V	CDIP (JG)	Tube of 50	LM158JG	LM158JG
			LCCC (FK)	Tube of 55	LM158FK	LM158FK
	2 mV	30 V	CDIP (JG)	Tube of 50	LM158AJG	LM158AJG
			LCCC (FK)	Tube of 55	LM158AFK	LM158AFK

† Package drawings, standard packing quantities, thermal data, symbolization, and PCB design guidelines are available at [www.ti.com/sc/package](http://www.ti.com/sc/package).

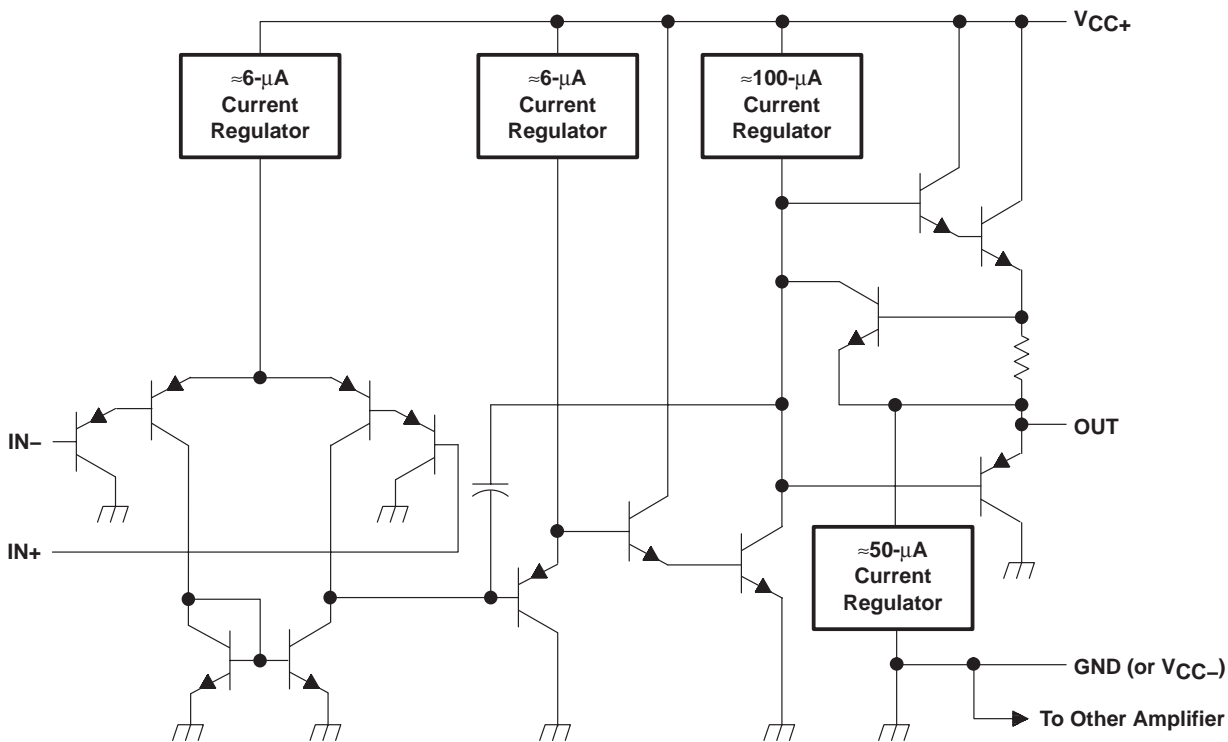
‡ The actual top-side marking has one additional character that designates the assembly/test site.



symbol (each amplifier)



schematic (each amplifier)



COMPONENT COUNT	
Epi-FET	1
Diodes	2
Resistors	7
Transistors	51
Capacitors	2

**LM158, LM158A, LM258, LM258A  
LM358, LM358A, LM2904, LM2904V  
DUAL OPERATIONAL AMPLIFIERS**

SLOS068P – JUNE 1976 – REVISED SEPTEMBER 2004

**absolute maximum ratings over operating free-air temperature range (unless otherwise noted)†**

		LM158, LM158A LM258, LM258A LM358, LM358A LM2904V	LM2904	UNIT
Supply voltage, $V_{CC}$ (see Note 1)		±16 or 32	±13 or 26	V
Differential input voltage, $V_{ID}$ (see Note 2)		±32	±26	V
Input voltage, $V_I$ (either input)		-0.3 to 32	-0.3 to 26	V
Duration of output short circuit (one amplifier) to ground at (or below) 25°C free-air temperature ( $V_{CC} \leq 15$ V) (see Note 3)		Unlimited	Unlimited	
Package thermal impedance, $\theta_{JA}$ (see Notes 4 and 5)	D package	97	97	°C/W
	DGK package	172	172	
	P package	85	85	
	PS package	95	95	
	PW package	149	149	
Package thermal impedance, $\theta_{JC}$ (see Notes 6 and 7)	FK package	5.61		°C/W
	JG package	14.5		
Operating free-air temperature range, $T_A$	LM158, LM158A	-55 to 125		°C
	LM258, LM258A	-25 to 85		
	LM358, LM358A	0 to 70		
	LM2904	-40 to 125	-40 to 125	
Operating virtual junction temperature, $T_J$		150	150	°C
Case temperature for 60 seconds	FK package	260		°C
Lead temperature 1,6 mm (1/16 inch) from case for 60 seconds	JG package	300	300	°C
Storage temperature range, $T_{stg}$		-65 to 150	-65 to 150	°C

† Stresses beyond those listed under “absolute maximum ratings” may cause permanent damage to the device. These are stress ratings only, and functional operation of the device at these or any other conditions beyond those indicated under “recommended operating conditions” is not implied. Exposure to absolute-maximum-rated conditions for extended periods may affect device reliability.

NOTES: 1. All voltage values, except differential voltages and  $V_{CC}$  specified for measurement of  $I_{OS}$ , are with respect to the network ground terminal.

2. Differential voltages are at  $IN+$  with respect to  $IN-$ .
3. Short circuits from outputs to  $V_{CC}$  can cause excessive heating and eventual destruction.
4. Maximum power dissipation is a function of  $T_J(max)$ ,  $\theta_{JA}$ , and  $T_A$ . The maximum allowable power dissipation at any allowable ambient temperature is  $P_D = (T_J(max) - T_A)/\theta_{JA}$ . Operating at the absolute maximum  $T_J$  of 150°C can affect reliability.
5. The package thermal impedance is calculated in accordance with JESD 51-7.
6. Maximum power dissipation is a function of  $T_J(max)$ ,  $\theta_{JC}$ , and  $T_C$ . The maximum allowable power dissipation at any allowable case temperature is  $P_D = (T_J(max) - T_C)/\theta_{JC}$ . Operating at the absolute maximum  $T_J$  of 150°C can affect reliability.
7. The package thermal impedance is calculated in accordance with MIL-STD-883.



**LM158, LM158A, LM258, LM258A**  
**LM358, LM358A, LM2904, LM2904V**  
**DUAL OPERATIONAL AMPLIFIERS**

SLOS068P – JUNE 1976 – REVISED SEPTEMBER 2004

**electrical characteristics at specified free-air temperature,  $V_{CC} = 5\text{ V}$  (unless otherwise noted)**

PARAMETER	TEST CONDITIONST	$T_A$ ‡	LM158 LM258			LM358			UNIT	
			MIN	TYP§	MAX	MIN	TYP§	MAX		
$V_{IO}$ Input offset voltage	$V_{CC} = 5\text{ V to MAX}$ , $V_{IC} = V_{ICR(\text{min})}$ , $V_O = 1.4\text{ V}$	25°C	3		5	3		7	mV	
		Full range			7			9		
$\alpha_{V_{IO}}$ Average temperature coefficient of input offset voltage		Full range	7			7		$\mu\text{V}/^\circ\text{C}$		
$I_{IO}$ Input offset current	$V_O = 1.4\text{ V}$	25°C	2	30		2	50		nA	
		Full range			100			150		
$\alpha_{I_{IO}}$ Average temperature coefficient of input offset current		Full range	10			10		$\text{pA}/^\circ\text{C}$		
$I_{IB}$ Input bias current	$V_O = 1.4\text{ V}$	25°C	-20	-150		-20	-250		nA	
		Full range			-300			-500		
$V_{ICR}$ Common-mode input voltage range	$V_{CC} = 5\text{ V to MAX}$	25°C	0 to $V_{CC} - 1.5$			0 to $V_{CC} - 1.5$		V		
		Full range	0 to $V_{CC} - 2$			0 to $V_{CC} - 2$				
$V_{OH}$ High-level output voltage	$R_L \geq 2\text{ k}\Omega$	25°C	$V_{CC} - 1.5$			$V_{CC} - 1.5$		V		
		25°C	$V_{CC} - 1.5$			$V_{CC} - 1.5$				
	$V_{CC} = \text{MAX}$	$R_L = 2\text{ k}\Omega$	Full range	26			26			
		$R_L \geq 10\text{ k}\Omega$	Full range	27	28		27		28	
$V_{OL}$ Low-level output voltage	$R_L \leq 10\text{ k}\Omega$	Full range	5		20	5		20	mV	
$A_{VD}$ Large-signal differential voltage amplification	$V_{CC} = 15\text{ V}$ , $V_O = 1\text{ V to }11\text{ V}$ , $R_L \geq 2\text{ k}\Omega$	25°C	50	100		25	100		V/mV	
		Full range	25			15				
CMRR Common-mode rejection ratio	$V_{CC} = 5\text{ V to MAX}$ , $V_{IC} = V_{ICR(\text{min})}$	25°C	70	80		65	80		dB	
$k_{SVR}$ Supply-voltage rejection ratio ( $\Delta V_{DD}/\Delta V_{IO}$ )	$V_{CC} = 5\text{ V to MAX}$	25°C	65	100		65	100		dB	
$V_{O1}/V_{O2}$ Crosstalk attenuation	$f = 1\text{ kHz to }20\text{ kHz}$	25°C	120			120		dB		
$I_O$ Output current	$V_{CC} = 15\text{ V}$ , $V_{ID} = 1\text{ V}$ , $V_O = 0$	Source	25°C	-20	-30		-20	-30		mA
			Full range	-10			-10			
	Sink	25°C	10	20		10	20			
		Full range	5			5				
$I_O$ Output current	$V_{ID} = -1\text{ V}$ , $V_O = 200\text{ mV}$	25°C	12	30		12	30		$\mu\text{A}$	
$I_{OS}$ Short-circuit output current	$V_{CC}$ at 5 V, GND at -5 V, $V_O = 0$	25°C	$\pm 40$		$\pm 60$	$\pm 40$		$\pm 60$	mA	
$I_{CC}$ Supply current (two amplifiers)	$V_O = 2.5\text{ V}$ , No load	Full range	0.7	1.2		0.7	1.2		mA	
	$V_{CC} = \text{MAX}$ , $V_O = 0.5\text{ V}$ , No load	Full range	1	2		1	2			

† All characteristics are measured under open-loop conditions, with zero common-mode input voltage, unless otherwise specified. MAX  $V_{CC}$  for testing purposes is 26 V for the LM2904 and 30 V for others.

‡ Full range is  $-55^\circ\text{C}$  to  $125^\circ\text{C}$  for LM158,  $-25^\circ\text{C}$  to  $85^\circ\text{C}$  for LM258,  $0^\circ\text{C}$  to  $70^\circ\text{C}$  for LM358, and  $-40^\circ\text{C}$  to  $125^\circ\text{C}$  for LM2904.

§ All typical values are at  $T_A = 25^\circ\text{C}$ .



**LM158, LM158A, LM258, LM258A  
LM358, LM358A, LM2904, LM2904V  
DUAL OPERATIONAL AMPLIFIERS**

SLOS068P – JUNE 1976 – REVISED SEPTEMBER 2004

**electrical characteristics at specified free-air temperature,  $V_{CC} = 5\text{ V}$  (unless otherwise noted)**

PARAMETER	TEST CONDITIONS†		$T_A$ ‡	LM2904			UNIT
				MIN	TYP§	MAX	
$V_{IO}$ Input offset voltage	$V_{CC} = 5\text{ V to MAX,}$ $V_{IC} = V_{ICR(\text{min})},$ $V_O = 1.4\text{ V}$	Non-A devices	25°C	3	7	mV	
			Full range	10			
		A-suffix devices	25°C	1	2		
			Full range	4			
$\alpha_{V_{IO}}$ Average temperature coefficient of input offset voltage			Full range	7		$\mu\text{V}/^\circ\text{C}$	
$I_{IO}$ Input offset current	$V_O = 1.4\text{ V}$	Non-V device	25°C	2	50	nA	
			Full range	300			
		V-suffix device	25°C	2	50		
			Full range	150			
$\alpha_{I_{IO}}$ Average temperature coefficient of input offset current			Full range	10		$\text{pA}/^\circ\text{C}$	
$I_{IB}$ Input bias current	$V_O = 1.4\text{ V}$		25°C	-20	-250	nA	
			Full range	-500			
$V_{ICR}$ Common-mode input voltage range	$V_{CC} = 5\text{ V to MAX}$		25°C	0 to $V_{CC} - 1.5$		V	
			Full range	0 to $V_{CC} - 2$			
$V_{OH}$ High-level output voltage	$R_L \geq 10\text{ k}\Omega$		25°C	$V_{CC} - 1.5$		V	
		$V_{CC} = \text{MAX,}$ Non-V device	$R_L = 2\text{ k}\Omega$	Full range	22		
			$R_L \geq 10\text{ k}\Omega$	Full range	23		24
		$V_{CC} = \text{MAX,}$ V-suffix device	$R_L = 2\text{ k}\Omega$	Full range	26		
$R_L \geq 10\text{ k}\Omega$	Full range		27	28			
$V_{OL}$ Low-level output voltage	$R_L \leq 10\text{ k}\Omega$		Full range	5	20	mV	
$A_{VD}$ Large-signal differential voltage amplification	$V_{CC} = 15\text{ V, } V_O = 1\text{ V to } 11\text{ V,}$ $R_L \geq 2\text{ k}\Omega$		25°C	25	100	V/mV	
			Full range	15			
CMRR Common-mode rejection ratio	$V_{CC} = 5\text{ V to MAX,}$ $V_{IC} = V_{ICR(\text{min})}$	Non-V device	25°C	50	80	dB	
		V-suffix device	25°C	65	80		
$k_{SVR}$ Supply-voltage rejection ratio ( $\Delta V_{DD}/\Delta V_{IO}$ )	$V_{CC} = 5\text{ V to MAX}$		25°C	65	100	dB	
$V_{O1}/V_{O2}$ Crosstalk attenuation	$f = 1\text{ kHz to } 20\text{ kHz}$		25°C	120		dB	
$I_O$ Output current	$V_{CC} = 15\text{ V,}$ $V_{ID} = 1\text{ V, } V_O = 0$	Source	25°C	-20	-30	mA	
			Full range	-10		mA	
	$V_{CC} = 15\text{ V,}$ $V_{ID} = -1\text{ V,}$ $V_O = 15\text{ V}$	Sink	25°C	10	20	mA	
			Full range	5		mA	
	$V_{ID} = -1\text{ V,}$ $V_O = 200\text{ mV}$	Non-V device	25°C	30		$\mu\text{A}$	
		V-suffix device	25°C	12	40		
$I_{OS}$ Short-circuit output current	$V_{CC}$ at 5 V, GND at -5 V, $V_O = 0$		25°C	$\pm 40$	$\pm 60$	mA	
$I_{CC}$ Supply current (two amplifiers)	$V_O = 2.5\text{ V, No load}$		Full range	0.7	1.2	mA	
	$V_{CC} = \text{MAX, } V_O = 0.5\text{ V, No load}$		Full range	1	2		

† All characteristics are measured under open-loop conditions, with zero common-mode input voltage, unless otherwise specified. MAX  $V_{CC}$  for testing purposes is 26 V for the LM2904, 32 V for the LM2904V, and 30 V for others.

‡ Full range is  $-55^\circ\text{C to } 125^\circ\text{C}$  for LM158,  $-25^\circ\text{C to } 85^\circ\text{C}$  for LM258,  $0^\circ\text{C to } 70^\circ\text{C}$  for LM358, and  $-40^\circ\text{C to } 125^\circ\text{C}$  for LM2904.

§ All typical values are at  $T_A = 25^\circ\text{C}$ .



**LM158, LM158A, LM258, LM258A**  
**LM358, LM358A, LM2904, LM2904V**  
**DUAL OPERATIONAL AMPLIFIERS**

SLOS068P – JUNE 1976 – REVISED SEPTEMBER 2004

**electrical characteristics at specified free-air temperature,  $V_{CC} = 5\text{ V}$  (unless otherwise noted)**

PARAMETER	TEST CONDITIONST	$T_A$ ‡	LM158A			LM258A			UNIT	
			MIN	TYP§	MAX	MIN	TYP§	MAX		
$V_{IO}$ Input offset voltage	$V_{CC} = 5\text{ V to }30\text{ V}$ , $V_{IC} = V_{ICR(\text{min})}$ , $V_O = 1.4\text{ V}$	25°C	2			2 3			mV	
		Full range	4			4				
$\alpha_{V_{IO}}$ Average temperature coefficient of input offset voltage		Full range	7 15*			7 15			$\mu\text{V}/^\circ\text{C}$	
$I_{IO}$ Input offset current	$V_O = 1.4\text{ V}$	25°C	2 10			2 15			nA	
		Full range	30			30				
$\alpha_{I_{IO}}$ Average temperature coefficient of input offset current		Full range	10 200			10 200			$\text{pA}/^\circ\text{C}$	
$I_{IB}$ Input bias current	$V_O = 1.4\text{ V}$	25°C	–15 –50			–15 –80			nA	
		Full range	–100			–100				
$V_{ICR}$ Common-mode input voltage range	$V_{CC} = 30\text{ V}$	25°C	0 to $V_{CC} - 1.5$			0 to $V_{CC} - 1.5$			V	
		Full range	0 to $V_{CC} - 2$			0 to $V_{CC} - 2$				
$V_{OH}$ High-level output voltage	$R_L \geq 2\text{ k}\Omega$ $V_{CC} = 30\text{ V}$	25°C	$V_{CC} - 1.5$			$V_{CC} - 1.5$			V	
		Full range	26			26				
			27 28			27 28				
$V_{OL}$ Low-level output voltage	$R_L \leq 10\text{ k}\Omega$	Full range	5 20			5 20			mV	
$A_{VD}$ Large-signal differential voltage amplification	$V_{CC} = 15\text{ V}$ , $V_O = 1\text{ V to }11\text{ V}$ , $R_L \geq 2\text{ k}\Omega$	25°C	50 100			50 100			V/mV	
		Full range	25			25				
CMRR Common-mode rejection ratio		25°C	70 80			70 80			dB	
$k_{SVR}$ Supply-voltage rejection ratio ( $\Delta V_{DD}/\Delta V_{IO}$ )		25°C	65 100			65 100			dB	
$V_{O1}/V_{O2}$ Crosstalk attenuation	$f = 1\text{ kHz to }20\text{ kHz}$	25°C	120			120			dB	
$I_O$ Output current	$V_{CC} = 15\text{ V}$ , $V_{ID} = 1\text{ V}$ , $V_O = 0$	Source	25°C	–20 –30 –60			–20 –30 –60			mA
		Full range	–10			–10				
	$V_{CC} = 15\text{ V}$ , $V_{ID} = -1\text{ V}$ , $V_O = 15$	Sink	25°C	10 20			10 20			
		Full range	5			5				
$V_{ID} = -1\text{ V}$ , $V_O = 200\text{ mV}$		25°C	12 30			12 30			$\mu\text{A}$	
$I_{OS}$ Short-circuit output current	$V_{CC}$ at 5 V, GND at –5 V, $V_O = 0$	25°C	$\pm 40 \pm 60$			$\pm 40 \pm 60$			mA	
$I_{CC}$ Supply current (two amplifiers)	$V_O = 2.5\text{ V}$ , No load	Full range	0.7 1.2			0.7 1.2			mA	
	$V_{CC} = \text{MAX}$ , $V_O = 0.5\text{ V}$ , No load	Full range	1 2			1 2				

\*On products compliant to MIL-PRF-38535, this parameter is not production tested.

† All characteristics are measured under open-loop conditions, with zero common-mode input voltage, unless otherwise specified. MAX  $V_{CC}$  for testing purposes is 26 V for LM2904 and 30 V for others.

‡ Full range is –55°C to 125°C for LM158A, –25°C to 85°C for LM258A, and 0°C to 70°C for LM358A.

§ All typical values are at  $T_A = 25^\circ\text{C}$ .



**LM158, LM158A, LM258, LM258A  
LM358, LM358A, LM2904, LM2904V  
DUAL OPERATIONAL AMPLIFIERS**

SLOS068P – JUNE 1976 – REVISED SEPTEMBER 2004

electrical characteristics at specified free-air temperature,  $V_{CC} = 5\text{ V}$  (unless otherwise noted)

PARAMETER	TEST CONDITIONS†	$T_A$ ‡	LM358A			UNIT	
			MIN	TYP§	MAX		
$V_{IO}$ Input offset voltage	$V_{CC} = 5\text{ V to }30\text{ V}$ , $V_{IC} = V_{ICR(min)}$ , $V_O = 1.4\text{ V}$	25°C	2	3		mV	
		Full range			5		
$\alpha_{V_{IO}}$ Average temperature coefficient of input offset voltage		Full range	7	20		$\mu\text{V}/^\circ\text{C}$	
$I_{IO}$ Input offset current	$V_O = 1.4\text{ V}$	25°C	2	30		nA	
		Full range			75		
$\alpha_{I_{IO}}$ Average temperature coefficient of input offset current		Full range	10	300		$\text{pA}/^\circ\text{C}$	
$I_{IB}$ Input bias current	$V_O = 1.4\text{ V}$	25°C	-15	-100		nA	
		Full range			-200		
$V_{ICR}$ Common-mode input voltage range	$V_{CC} = 30\text{ V}$	25°C	0 to $V_{CC} - 1.5$			V	
		Full range	0 to $V_{CC} - 2$				
$V_{OH}$ High-level output voltage	$R_L \geq 2\text{ k}\Omega$ $V_{CC} = 30\text{ V}$	25°C	$V_{CC} - 1.5$			V	
		Full range	$R_L = 2\text{ k}\Omega$	26			
			$R_L \geq 10\text{ k}\Omega$	27	28		
$V_{OL}$ Low-level output voltage	$R_L \leq 10\text{ k}\Omega$	Full range	5	20		mV	
$A_{VD}$ Large-signal differential voltage amplification	$V_{CC} = 15\text{ V}$ , $V_O = 1\text{ V to }11\text{ V}$ , $R_L \geq 2\text{ k}\Omega$	25°C	25	100		V/mV	
		Full range	15				
CMRR Common-mode rejection ratio		25°C	65	80		dB	
$k_{SVR}$ Supply-voltage rejection ratio ( $\Delta V_{DD}/\Delta V_{IO}$ )		25°C	65	100		dB	
$V_{O1}/V_{O2}$ Crosstalk attenuation	$f = 1\text{ kHz to }20\text{ kHz}$	25°C	120			dB	
$I_O$ Output current	$V_{CC} = 15\text{ V}$ , $V_{ID} = 1\text{ V}$ , $V_O = 0$	Source	25°C	-20	-30	-60	mA
			Full range	-10			
	$V_{CC} = 15\text{ V}$ , $V_{ID} = -1\text{ V}$ , $V_O = 15\text{ V}$	Sink	25°C	10	20		
			Full range	5			
	$V_{ID} = -1\text{ V}$ , $V_O = 200\text{ mV}$	25°C	30			$\mu\text{A}$	
$I_{OS}$ Short-circuit output current	$V_{CC}$ at 5 V, GND at -5 V, $V_O = 0$	25°C	$\pm 40$	$\pm 60$		mA	
$I_{CC}$ Supply current (two amplifiers)	$V_O = 2.5\text{ V}$ , No load	Full range	0.7	1.2		mA	
	$V_{CC} = \text{MAX}$ , $V_O = 0.5\text{ V}$ , No load	Full range	1	2			

† All characteristics are measured under open-loop conditions, with zero common-mode input voltage, unless otherwise specified. MAX  $V_{CC}$  for testing purposes is 26 V for LM2904 and 30 V for others.

‡ Full range is  $-55^\circ\text{C to }125^\circ\text{C}$  for LM158A,  $-25^\circ\text{C to }85^\circ\text{C}$  for LM258A, and  $0^\circ\text{C to }70^\circ\text{C}$  for LM358A.

§ All typical values are at  $T_A = 25^\circ\text{C}$ .





operating conditions,  $V_{CC} = \pm 15\text{ V}$ ,  $T_A = 25^\circ\text{C}$

PARAMETER		TEST CONDITIONS	TYP	UNIT
SR	Slew rate at unity gain	$R_L = 1\text{ M}\Omega$ , $C_L = 30\text{ pF}$ , $V_I = \pm 10\text{ V}$ (see Figure 1)	0.3	$\text{V}/\mu\text{s}$
$B_1$	Unity-gain bandwidth	$R_L = 1\text{ M}\Omega$ , $C_L = 20\text{ pF}$ (see Figure 1)	0.7	MHz
$V_n$	Equivalent input noise voltage	$R_S = 100\ \Omega$ , $V_I = 0\text{ V}$ , $f = 1\text{ kHz}$ (see Figure 2)	40	$\text{nV}/\sqrt{\text{Hz}}$

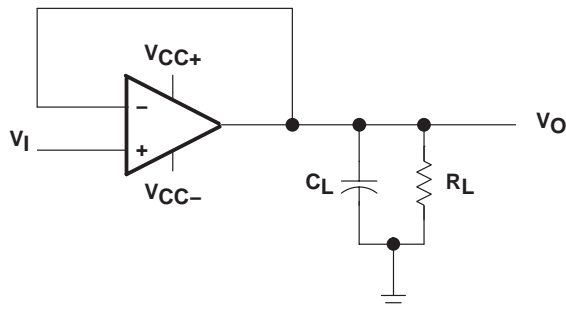


Figure 1. Unity-Gain Amplifier

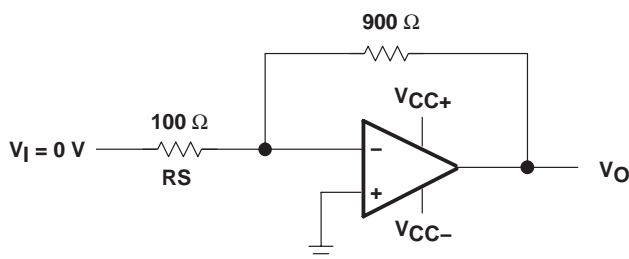


Figure 2. Noise-Test Circuit

**PACKAGING INFORMATION**

Orderable Device	Status <sup>(1)</sup>	Package Type	Package Drawing	Pins	Package Qty	Eco Plan <sup>(2)</sup>	Lead/Ball Finish	MSL Peak Temp <sup>(3)</sup>
5962-87710012A	ACTIVE	LCCC	FK	20	1	None	POST-PLATE	Level-NC-NC-NC
5962-8771001PA	ACTIVE	CDIP	JG	8	1	None	A42 SNPB	Level-NC-NC-NC
5962-87710022A	ACTIVE	LCCC	FK	20	1	None	POST-PLATE	Level-NC-NC-NC
5962-8771002PA	ACTIVE	CDIP	JG	8	1	None	A42 SNPB	Level-NC-NC-NC
LM158AFKB	ACTIVE	LCCC	FK	20	1	None	POST-PLATE	Level-NC-NC-NC
LM158AJG	ACTIVE	CDIP	JG	8	1	None	A42 SNPB	Level-NC-NC-NC
LM158AJGB	ACTIVE	CDIP	JG	8	1	None	A42 SNPB	Level-NC-NC-NC
LM158FKB	ACTIVE	LCCC	FK	20	1	None	POST-PLATE	Level-NC-NC-NC
LM158JG	ACTIVE	CDIP	JG	8	1	None	A42 SNPB	Level-NC-NC-NC
LM158JGB	ACTIVE	CDIP	JG	8	1	None	A42 SNPB	Level-NC-NC-NC
LM258AD	ACTIVE	SOIC	D	8	75	Pb-Free (RoHS)	CU NIPDAU	Level-2-260C-1 YEAR/ Level-1-235C-UNLIM
LM258ADGKR	ACTIVE	MSOP	DGK	8	2500	Green (RoHS & no Sb/Br)	CU NIPDAU	Level-2-260C-1YEAR
LM258ADR	ACTIVE	SOIC	D	8	2500	Pb-Free (RoHS)	CU NIPDAU	Level-2-260C-1 YEAR/ Level-1-235C-UNLIM
LM258AP	ACTIVE	PDIP	P	8	50	Pb-Free (RoHS)	CU NIPDAU	Level-NC-NC-NC
LM258D	ACTIVE	SOIC	D	8	75	Pb-Free (RoHS)	CU NIPDAU	Level-2-260C-1 YEAR/ Level-1-235C-UNLIM
LM258DGKR	ACTIVE	MSOP	DGK	8	2500	Green (RoHS & no Sb/Br)	CU NIPDAU	Level-2-260C-1YEAR
LM258DR	ACTIVE	SOIC	D	8	2500	Green (RoHS & no Sb/Br)	CU NIPDAU	Level-1-260C-UNLIM
LM258P	ACTIVE	PDIP	P	8	50	Pb-Free (RoHS)	CU NIPDAU	Level-NC-NC-NC
LM2904AVQDR	ACTIVE	SOIC	D	8	2500	Pb-Free (RoHS)	CU NIPDAU	Level-2-250C-1 YEAR/ Level-1-235C-UNLIM
LM2904AVQPWR	ACTIVE	TSSOP	PW	8	2000	None	CU NIPDAU	Level-1-250C-UNLIM
LM2904D	ACTIVE	SOIC	D	8	75	Pb-Free (RoHS)	CU NIPDAU	Level-2-260C-1 YEAR/ Level-1-235C-UNLIM
LM2904DGKR	ACTIVE	MSOP	DGK	8	2500	Green (RoHS & no Sb/Br)	CU NIPDAU	Level-2-260C-1YEAR
LM2904DR	ACTIVE	SOIC	D	8	2500	Green (RoHS & no Sb/Br)	CU NIPDAU	Level-1-260C-UNLIM
LM2904P	ACTIVE	PDIP	P	8	50	Pb-Free (RoHS)	CU NIPDAU	Level-NC-NC-NC
LM2904PSR	ACTIVE	SO	PS	8	2000	Pb-Free (RoHS)	CU NIPDAU	Level-2-260C-1 YEAR/ Level-1-235C-UNLIM
LM2904PW	ACTIVE	TSSOP	PW	8	150	Pb-Free (RoHS)	CU NIPDAU	Level-1-250C-UNLIM
LM2904PWLE	OBSOLETE	TSSOP	PW	8		None	Call TI	Call TI
LM2904PWR	ACTIVE	TSSOP	PW	8	2000	Pb-Free (RoHS)	CU NIPDAU	Level-1-250C-UNLIM
LM2904QD	OBSOLETE	SOIC	D	8		None	Call TI	Call TI
LM2904QDR	OBSOLETE	SOIC	D	8		Pb-Free (RoHS)	CU NIPDAU	Level-2-250C-1 YEAR/ Level-1-235C-UNLIM

Orderable Device	Status <sup>(1)</sup>	Package Type	Package Drawing	Pins	Package Qty	Eco Plan <sup>(2)</sup>	Lead/Ball Finish	MSL Peak Temp <sup>(3)</sup>
LM2904QP	OBSOLETE	PDIP	P	8		None	Call TI	Call TI
LM2904VQDR	ACTIVE	SOIC	D	8	2500	Pb-Free (RoHS)	CU NIPDAU	Level-2-250C-1 YEAR/ Level-1-235C-UNLIM
LM2904VQPWR	ACTIVE	TSSOP	PW	8	2000	None	CU NIPDAU	Level-1-250C-UNLIM
LM358AD	ACTIVE	SOIC	D	8	75	Pb-Free (RoHS)	CU NIPDAU	Level-2-260C-1 YEAR/ Level-1-235C-UNLIM
LM358ADGKR	ACTIVE	MSOP	DGK	8	2500	Green (RoHS & no Sb/Br)	CU NIPDAU	Level-2-260C-1YEAR
LM358ADR	ACTIVE	SOIC	D	8	2500	Green (RoHS & no Sb/Br)	CU NIPDAU	Level-1-260C-UNLIM
LM358AP	ACTIVE	PDIP	P	8	50	Pb-Free (RoHS)	CU NIPDAU	Level-NC-NC-NC
LM358APW	ACTIVE	TSSOP	PW	8	150	Pb-Free (RoHS)	CU NIPDAU	Level-1-250C-UNLIM
LM358APWR	ACTIVE	TSSOP	PW	8	2000	Pb-Free (RoHS)	CU NIPDAU	Level-1-250C-UNLIM
LM358D	ACTIVE	SOIC	D	8	75	Green (RoHS & no Sb/Br)	CU NIPDAU	Level-1-260C-UNLIM
LM358DGKR	ACTIVE	MSOP	DGK	8	2500	Green (RoHS & no Sb/Br)	CU NIPDAU	Level-2-260C-1YEAR
LM358DR	ACTIVE	SOIC	D	8	2500	Green (RoHS & no Sb/Br)	CU NIPDAU	Level-1-260C-UNLIM
LM358P	ACTIVE	PDIP	P	8	50	Pb-Free (RoHS)	CU NIPDAU	Level-NC-NC-NC
LM358PSLE	OBSOLETE	SO	PS	8		None	Call TI	Call TI
LM358PSR	ACTIVE	SO	PS	8	2000	Pb-Free (RoHS)	CU NIPDAU	Level-2-260C-1 YEAR/ Level-1-235C-UNLIM
LM358PW	ACTIVE	TSSOP	PW	8	150	Pb-Free (RoHS)	CU NIPDAU	Level-1-250C-UNLIM
LM358PWLE	OBSOLETE	TSSOP	PW	8		None	Call TI	Call TI
LM358PWR	ACTIVE	TSSOP	PW	8	2000	Pb-Free (RoHS)	CU NIPDAU	Level-1-250C-UNLIM

<sup>(1)</sup> The marketing status values are defined as follows:

**ACTIVE:** Product device recommended for new designs.

**LIFEBUY:** TI has announced that the device will be discontinued, and a lifetime-buy period is in effect.

**NRND:** Not recommended for new designs. Device is in production to support existing customers, but TI does not recommend using this part in a new design.

**PREVIEW:** Device has been announced but is not in production. Samples may or may not be available.

**OBSOLETE:** TI has discontinued the production of the device.

<sup>(2)</sup> Eco Plan - May not be currently available - please check <http://www.ti.com/productcontent> for the latest availability information and additional product content details.

**None:** Not yet available Lead (Pb-Free).

**Pb-Free (RoHS):** TI's terms "Lead-Free" or "Pb-Free" mean semiconductor products that are compatible with the current RoHS requirements for all 6 substances, including the requirement that lead not exceed 0.1% by weight in homogeneous materials. Where designed to be soldered at high temperatures, TI Pb-Free products are suitable for use in specified lead-free processes.

**Green (RoHS & no Sb/Br):** TI defines "Green" to mean "Pb-Free" and in addition, uses package materials that do not contain halogens, including bromine (Br) or antimony (Sb) above 0.1% of total product weight.

<sup>(3)</sup> MSL, Peak Temp. -- The Moisture Sensitivity Level rating according to the JEDEC industry standard classifications, and peak solder temperature.

**Important Information and Disclaimer:** The information provided on this page represents TI's knowledge and belief as of the date that it is

provided. TI bases its knowledge and belief on information provided by third parties, and makes no representation or warranty as to the accuracy of such information. Efforts are underway to better integrate information from third parties. TI has taken and continues to take reasonable steps to provide representative and accurate information but may not have conducted destructive testing or chemical analysis on incoming materials and chemicals. TI and TI suppliers consider certain information to be proprietary, and thus CAS numbers and other limited information may not be available for release.

In no event shall TI's liability arising out of such information exceed the total purchase price of the TI part(s) at issue in this document sold by TI to Customer on an annual basis.

JG (R-GDIP-T8)

CERAMIC DUAL-IN-LINE



4040107/C 08/96

- NOTES: A. All linear dimensions are in inches (millimeters).  
 B. This drawing is subject to change without notice.  
 C. This package can be hermetically sealed with a ceramic lid using glass frit.  
 D. Index point is provided on cap for terminal identification.  
 E. Falls within MIL STD 1835 GDIP1-T8

FK (S-CQCC-N\*\*)

LEADLESS CERAMIC CHIP CARRIER

28 TERMINAL SHOWN



4040140/D 10/96

- NOTES:
- A. All linear dimensions are in inches (millimeters).
  - B. This drawing is subject to change without notice.
  - C. This package can be hermetically sealed with a metal lid.
  - D. The terminals are gold plated.
  - E. Falls within JEDEC MS-004

P (R-PDIP-T8)

PLASTIC DUAL-IN-LINE



4040082/D 05/98

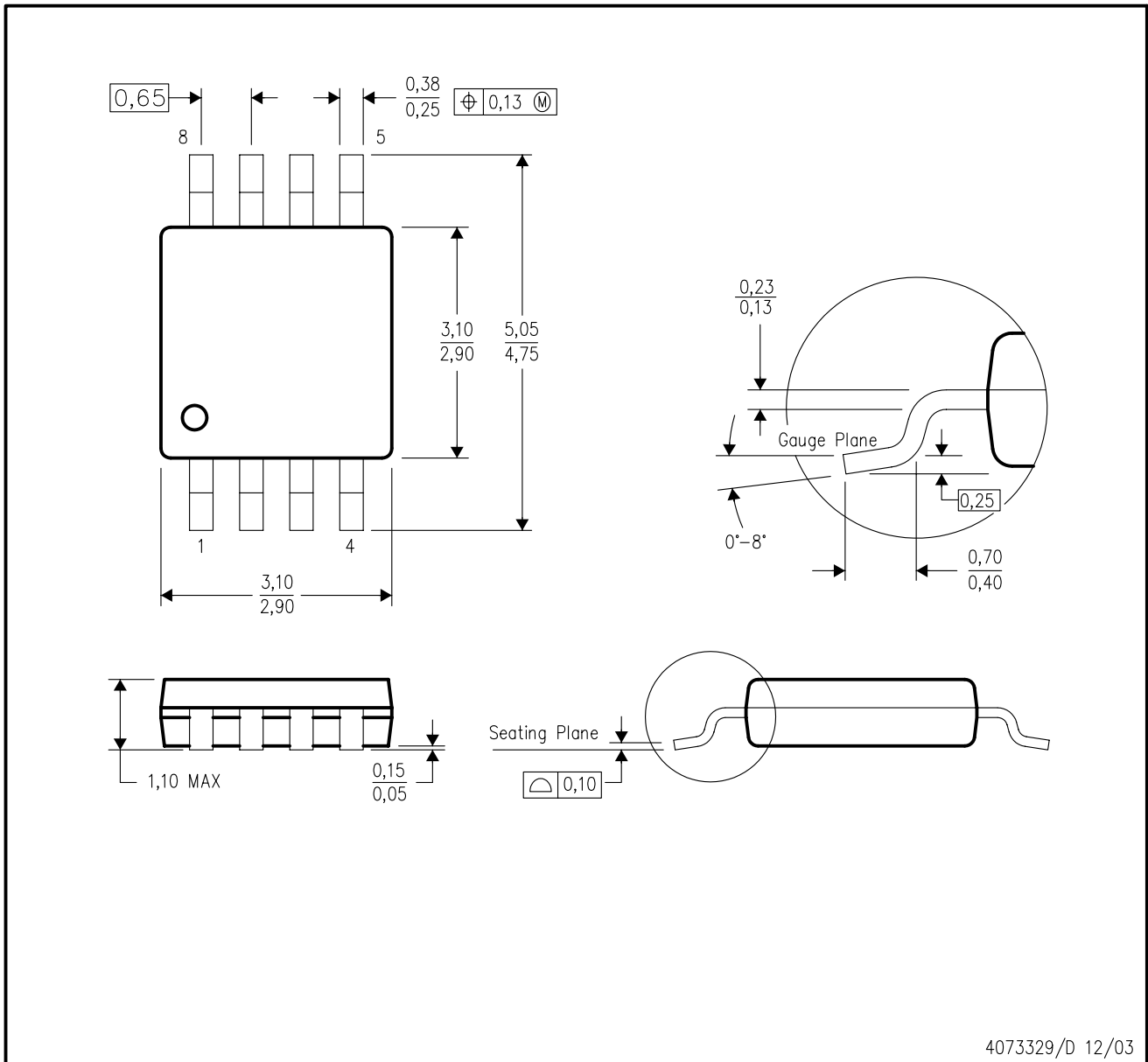
- NOTES: A. All linear dimensions are in inches (millimeters).  
 B. This drawing is subject to change without notice.  
 C. Falls within JEDEC MS-001

For the latest package information, go to [http://www.ti.com/sc/docs/package/pkg\\_info.htm](http://www.ti.com/sc/docs/package/pkg_info.htm)



DGK (S-PDSO-G8)

PLASTIC SMALL-OUTLINE PACKAGE

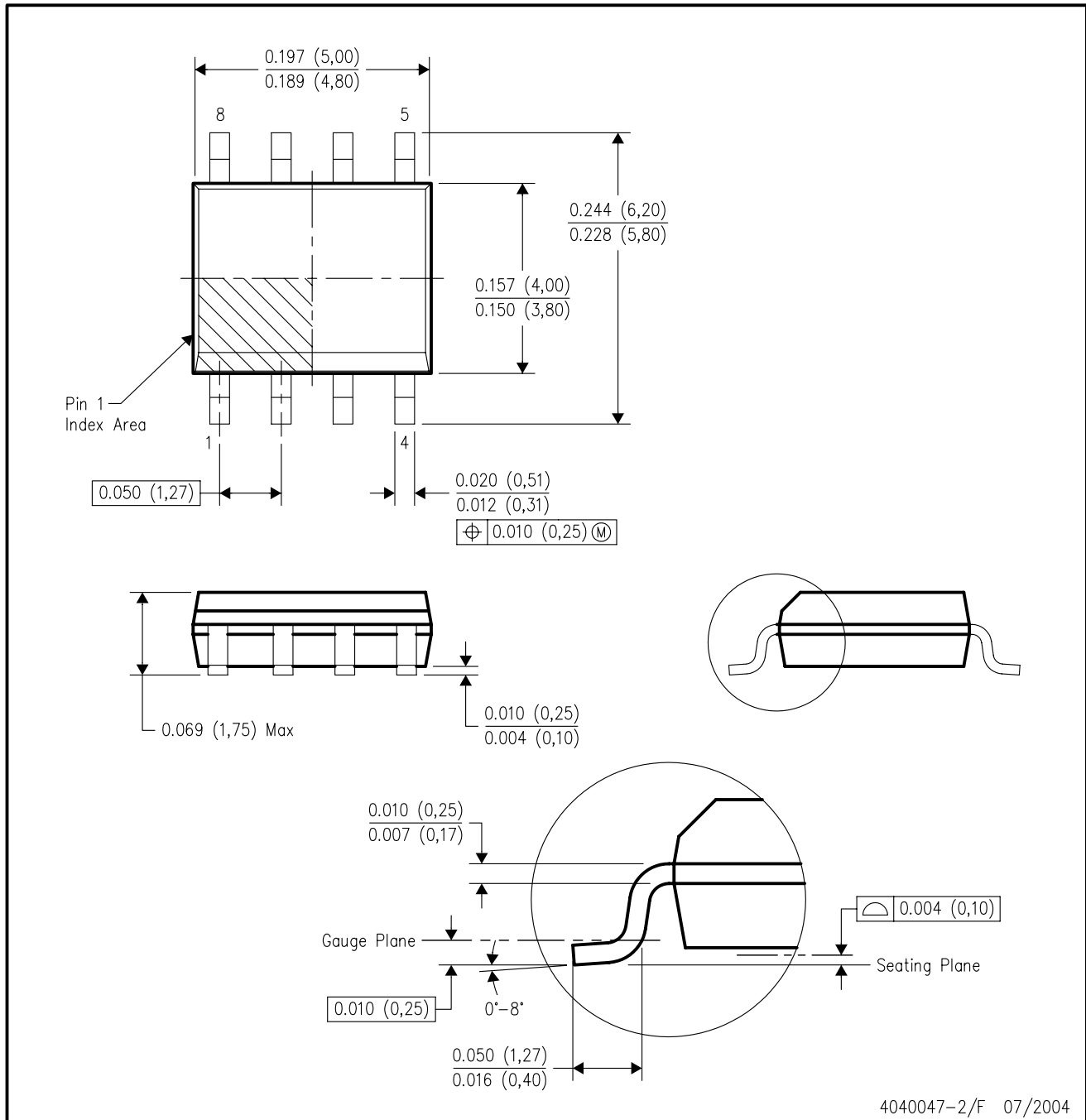


- NOTES:
- A. All linear dimensions are in millimeters.
  - B. This drawing is subject to change without notice.
  - C. Body dimensions do not include mold flash or protrusion.
  - D. Falls within JEDEC MO-187 variation AA.



D (R-PDSO-G8)

PLASTIC SMALL-OUTLINE PACKAGE



- NOTES:
- A. All linear dimensions are in inches (millimeters).
  - B. This drawing is subject to change without notice.
  - C. Body dimensions do not include mold flash or protrusion not to exceed 0.006 (0,15).
  - D. Falls within JEDEC MS-012 variation AA.

# MECHANICAL DATA

PS (R-PDSO-G8)

PLASTIC SMALL-OUTLINE PACKAGE



- NOTES:
- A. All linear dimensions are in millimeters.
  - B. This drawing is subject to change without notice.
  - C. Body dimensions do not include mold flash or protrusion, not to exceed 0,15.

PW (R-PDSO-G\*\*)

PLASTIC SMALL-OUTLINE PACKAGE

14 PINS SHOWN



4040064/F 01/97

- NOTES: A. All linear dimensions are in millimeters.  
 B. This drawing is subject to change without notice.  
 C. Body dimensions do not include mold flash or protrusion not to exceed 0,15.  
 D. Falls within JEDEC MO-153

## IMPORTANT NOTICE

Texas Instruments Incorporated and its subsidiaries (TI) reserve the right to make corrections, modifications, enhancements, improvements, and other changes to its products and services at any time and to discontinue any product or service without notice. Customers should obtain the latest relevant information before placing orders and should verify that such information is current and complete. All products are sold subject to TI's terms and conditions of sale supplied at the time of order acknowledgment.

TI warrants performance of its hardware products to the specifications applicable at the time of sale in accordance with TI's standard warranty. Testing and other quality control techniques are used to the extent TI deems necessary to support this warranty. Except where mandated by government requirements, testing of all parameters of each product is not necessarily performed.

TI assumes no liability for applications assistance or customer product design. Customers are responsible for their products and applications using TI components. To minimize the risks associated with customer products and applications, customers should provide adequate design and operating safeguards.

TI does not warrant or represent that any license, either express or implied, is granted under any TI patent right, copyright, mask work right, or other TI intellectual property right relating to any combination, machine, or process in which TI products or services are used. Information published by TI regarding third-party products or services does not constitute a license from TI to use such products or services or a warranty or endorsement thereof. Use of such information may require a license from a third party under the patents or other intellectual property of the third party, or a license from TI under the patents or other intellectual property of TI.

Reproduction of information in TI data books or data sheets is permissible only if reproduction is without alteration and is accompanied by all associated warranties, conditions, limitations, and notices. Reproduction of this information with alteration is an unfair and deceptive business practice. TI is not responsible or liable for such altered documentation.

Resale of TI products or services with statements different from or beyond the parameters stated by TI for that product or service voids all express and any implied warranties for the associated TI product or service and is an unfair and deceptive business practice. TI is not responsible or liable for any such statements.

Following are URLs where you can obtain information on other Texas Instruments products and application solutions:

<b>Products</b>		<b>Applications</b>	
Amplifiers	<a href="http://amplifier.ti.com">amplifier.ti.com</a>	Audio	<a href="http://www.ti.com/audio">www.ti.com/audio</a>
Data Converters	<a href="http://dataconverter.ti.com">dataconverter.ti.com</a>	Automotive	<a href="http://www.ti.com/automotive">www.ti.com/automotive</a>
DSP	<a href="http://dsp.ti.com">dsp.ti.com</a>	Broadband	<a href="http://www.ti.com/broadband">www.ti.com/broadband</a>
Interface	<a href="http://interface.ti.com">interface.ti.com</a>	Digital Control	<a href="http://www.ti.com/digitalcontrol">www.ti.com/digitalcontrol</a>
Logic	<a href="http://logic.ti.com">logic.ti.com</a>	Military	<a href="http://www.ti.com/military">www.ti.com/military</a>
Power Mgmt	<a href="http://power.ti.com">power.ti.com</a>	Optical Networking	<a href="http://www.ti.com/opticalnetwork">www.ti.com/opticalnetwork</a>
Microcontrollers	<a href="http://microcontroller.ti.com">microcontroller.ti.com</a>	Security	<a href="http://www.ti.com/security">www.ti.com/security</a>
		Telephony	<a href="http://www.ti.com/telephony">www.ti.com/telephony</a>
		Video & Imaging	<a href="http://www.ti.com/video">www.ti.com/video</a>
		Wireless	<a href="http://www.ti.com/wireless">www.ti.com/wireless</a>

Mailing Address: Texas Instruments  
Post Office Box 655303 Dallas, Texas 75265