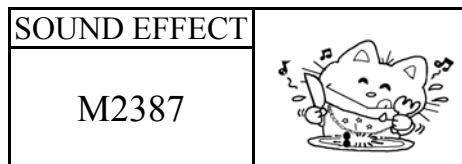




WITH 7 LEDS
8 SOUNDS 8 KEYS

友 勁
8 音 效 8 鍵 7 LEDS IC



FEATURES 功能敘述

- 8 different electronic sounds.
- LED flash rate : 3 Hz
Duty cycle : 1/6.
- Power on LED flash L1→L7.

SOUND	
K1	SIREN
K2	POLICE CAR
K3	TV GAME
K4	FIRE ENIGVE
K5	DING DONG
K6	BI-BI-BI-BI-
K7	DING DING
K8	GUN

APPLICATION 產品應用

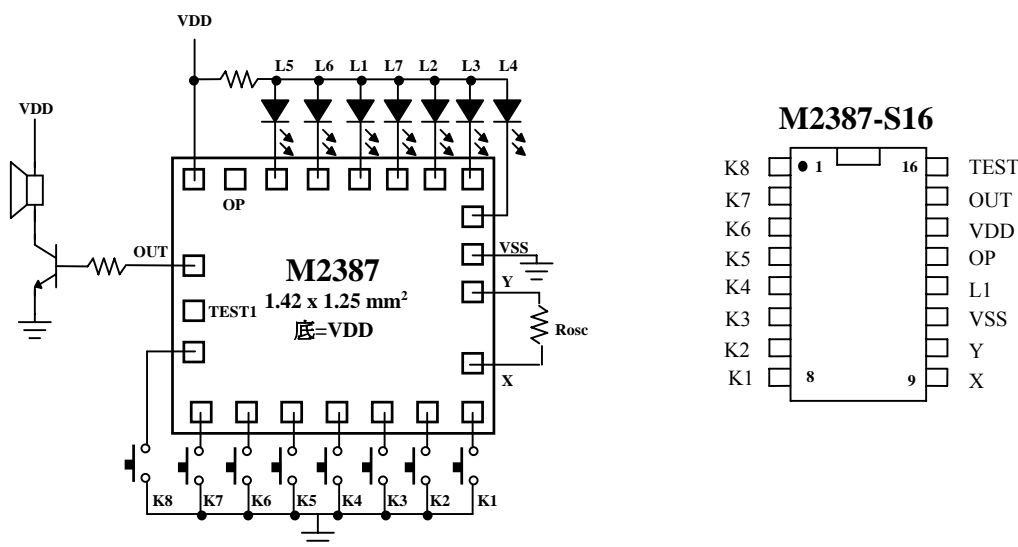
- Alarm system, Toys, Key chain.

ELECTRICAL CHARACTERISTICS 電氣規格

(@V_{DD}=3V unless otherwise specified)

Characteristics	Sym.	Min.	Typ.	Max.	Unit	REMARKS
工作電壓 Operating Voltage	V _{DD}	—	3	4.5	V	
工作電流 Operating Current	I _{OP}	—	0.1	0.5	mA	No load
靜態電流 Quiescent Current	I _{SB}	—	1	5	μA	
推動電流 BZ Driving Current	I _O	1	—	—	mA	@V _{DS} =1V
推動電流 LO Driving Current	I _{OL}	6	—	—	mA	@V _{DS} =1.2V
振盪頻率 Oscillator Frequency	F _{OSC}	—	110	—	KHz	External±30% TOL, Rosc=270KΩ
工作溫度 Operating Temperature	Temp.	0	25	60	°C	

APPLICATION DIAGRAM 參考電路圖



*All specs and applications shown above subject to change without prior notice.
(以上電路及規格僅供參考,本公司得逕行修正)



WITH 7 LEDS
8 SOUNDS 8 KEYS

友勁
8 音效 8 鍵 7 LEDS IC

SOUND EFFECT

M2387



PACKAGE OUTLINE

16-Pin Plastic SOP

