



VDD CONTROL
DUAL TONE

電源控制
128 音符雙音 IC

MELODY	
M994A	

FEATURES 功能敘述

- Dual tone 128 notes.
- OL : Switch of one octave lower output.
- Tempo adj. : Rosc Ext. / Built-in available.
- Package : TO92-3L , DIP 16L or CHIP form.

P/N	SONG LIST
M994A-05	SWEET HOME
M994A-19	FOR ALICE
M994A-68	SMALL WORLD (18 Sec)
M994A-69	SMALL WORLD (14 Sec)
M994A-LB	LOVE BLUE

APPLICATION 產品應用

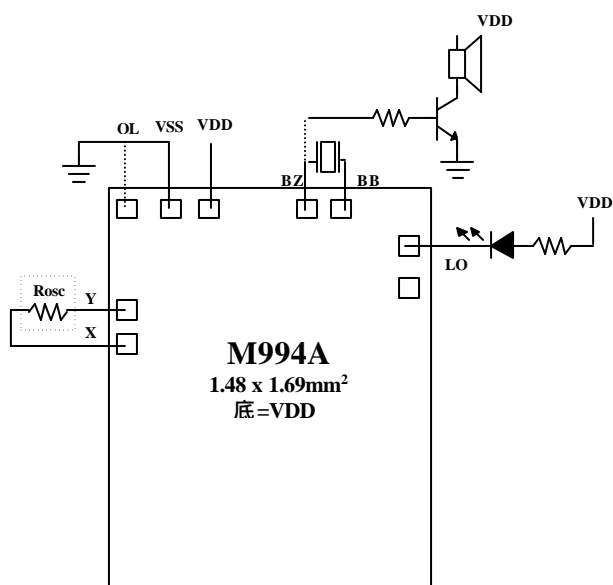
Telephone, EPABX, Toys etc..

ELECTRICAL CHARACTERISTICS 電氣規格

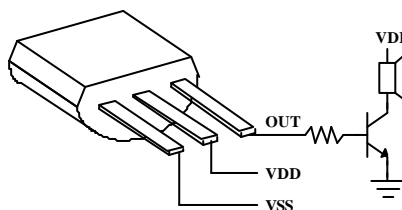
(@ $V_{DD}=3V$ unless otherwise specified)

Characteristics	Sym.	Min.	Typ.	Max.	Unit	REMARKS
工作電壓 Operating Voltage	V_{DD}		3	3.5	V	
工作電流 Operating Current	I_{OP}		0.4	0.7	mA	No load
靜態電流 Quiescent Current	I_{SB}				μA	
推動電流 BZ Driving Current	I_O	0.4	0.7		mA	@ $V_{DS}=1V$
推動電流 LED Driving Current	I_{OL}	6	6		mA	@ $V_{DS}=1.2V$
振盪頻率 Oscillator Frequency	F_{OSC}		250		KHZ	$\pm 30\%$ TOL.
工作溫度 Operating Temperature	Temp.	0	25	60		

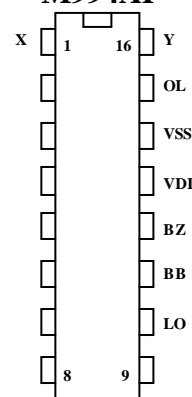
APPLICATION DIAGRAM 參考電路圖



TO92-3L



M994AP



ORDERING INFORMATION

- M994AX-XXLR
- Rosc Ext. (default Int.)
 - One octave low. (default Normal)
 - Song Name
 - Package T - TO92-3L
P - DIP
- CHIP

*All specs and applications shown above subject to change without prior notice.
(以上電路及規格僅供參考,本公司得逕行修正)