

10W CAR RADIO AUDIO AMPLIFIER

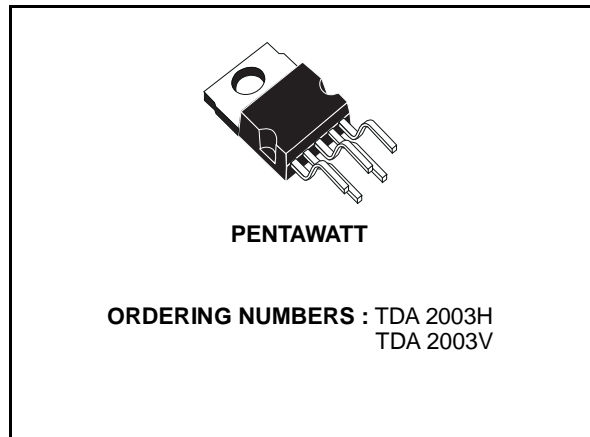
DESCRIPTION

The TDA 2003 has improved performance with the same pin configuration as the TDA 2002.

The additional features of TDA 2002, very low number of external components, ease of assembly, space and cost saving, are maintained.

The device provides a high output current capability (up to 3.5A) very low harmonic and cross-over distortion.

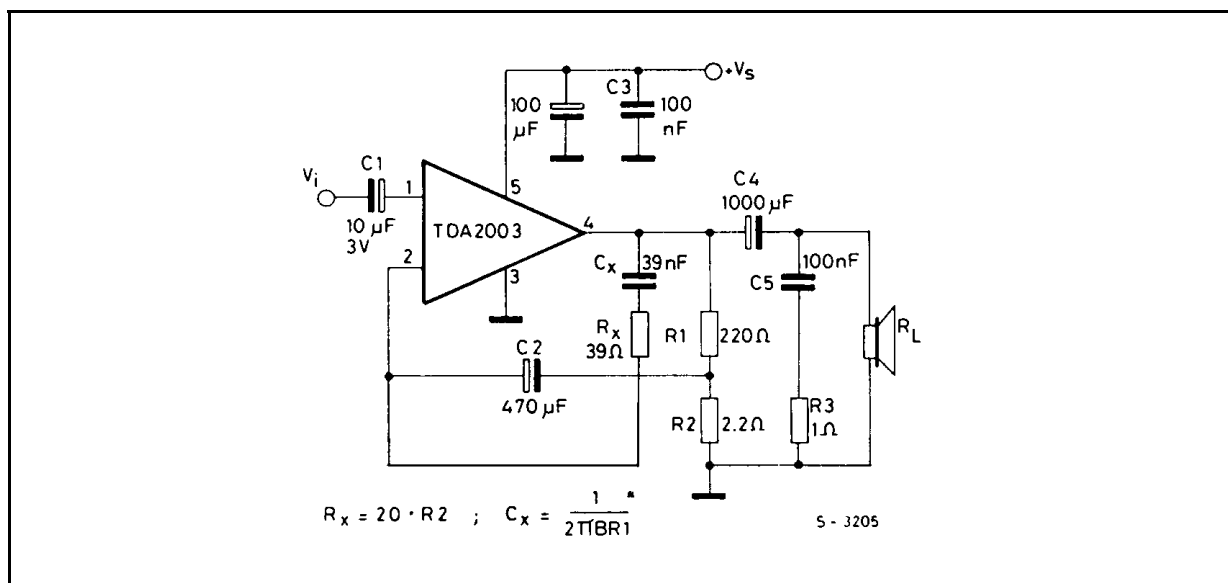
Completely safe operation is guaranteed due to protection against DC and AC short circuit between all pins and ground, thermal over-range, load dump voltage surge up to 40V and fortuitous open ground.



ABSOLUTE MAXIMUM RATINGS

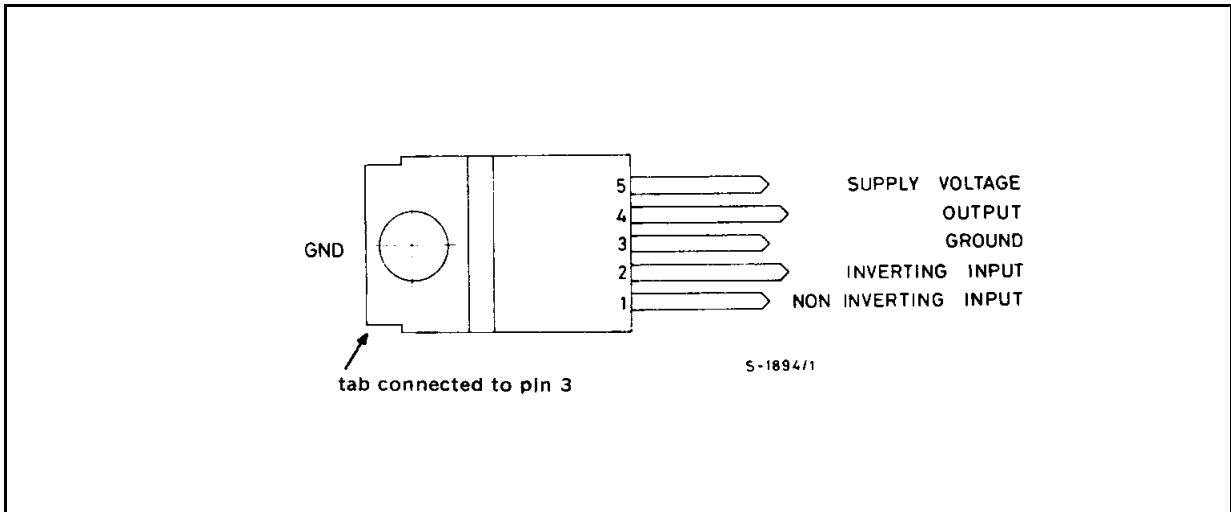
| Symbol | Parameter | Value | Unit |
|----------------|--|------------|------------|
| V_S | Peak supply voltage (50ms) | 40 | V |
| V_S | DC supply voltage | 28 | V |
| V_S | Operating supply voltage | 18 | V |
| I_O | Output peak current (repetitive) | 3.5 | A |
| I_O | Output peak current (non repetitive) | 4.5 | A |
| P_{tot} | Power dissipation at $T_{case} = 90^\circ C$ | 20 | W |
| T_{stg}, T_j | Storage and junction temperature | -40 to 150 | $^\circ C$ |

TEST CIRCUIT

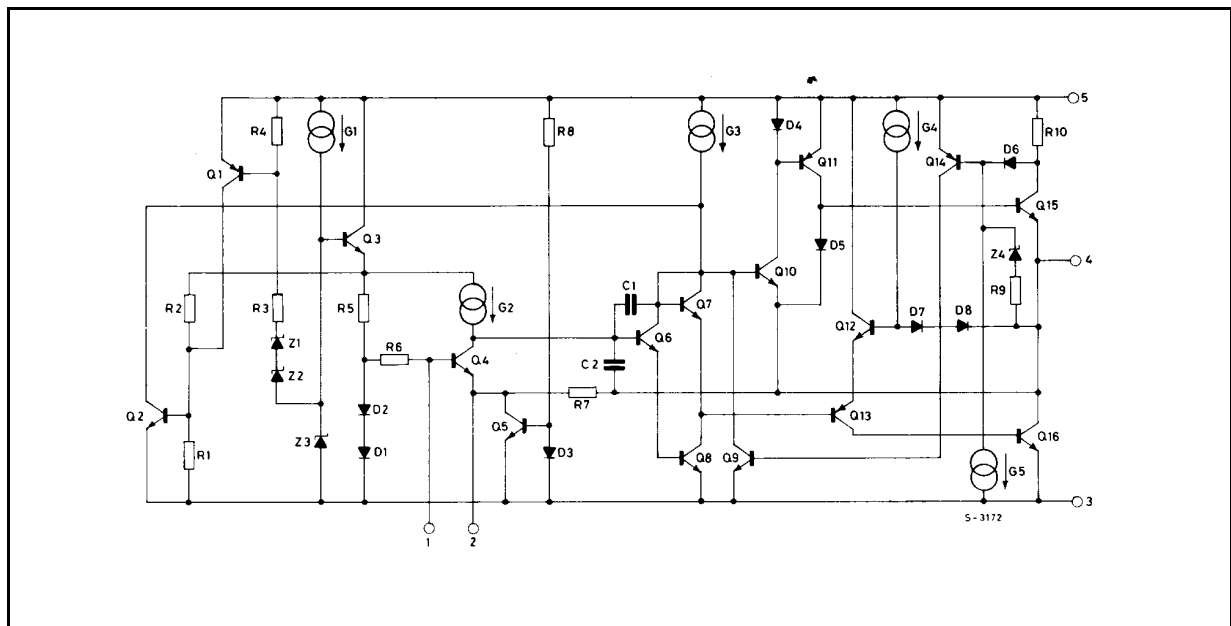


TDA2003

PIN CONNECTION (top view)



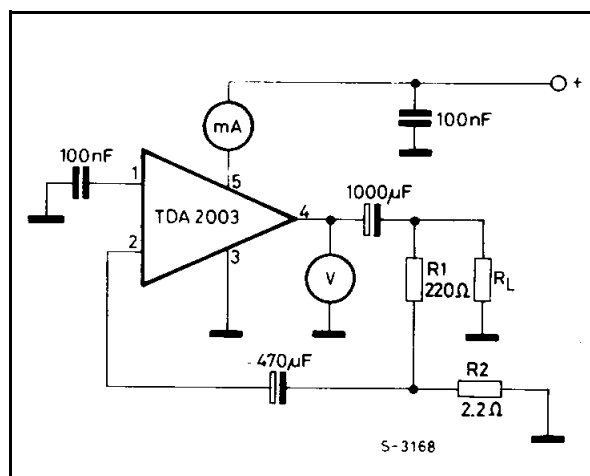
SCHEMATIC DIAGRAM



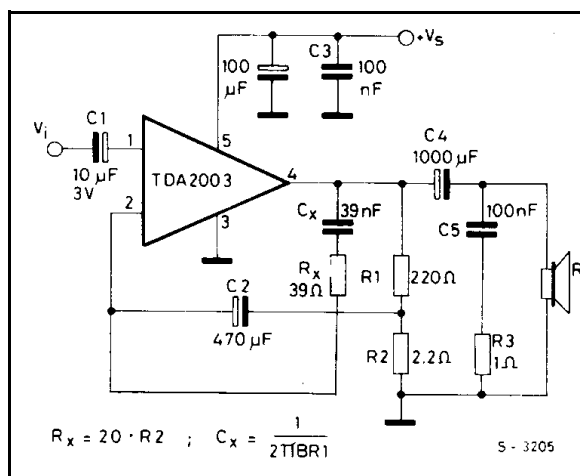
THERMAL DATA

| Symbol | Parameter | Value | Unit |
|-----------------|----------------------------------|-------|---------------|
| $R_{th-j-case}$ | Thermal resistance junction-case | max 3 | $^{\circ}C/W$ |

DC TEST CIRCUIT



AC TEST CIRCUIT



ELECTRICAL CHARACTERISTICS ($V_s = 14.4V$, $T_{amb} = 25\text{ }^\circ\text{C}$ unless otherwise specified)

| Symbol | Parameter | Test conditions | Min. | Typ. | Max. | Unit |
|--------|-----------|-----------------|------|------|------|------|
|--------|-----------|-----------------|------|------|------|------|

DC CHARACTERISTICS (Refer to DC test circuit)

| | | | | | | |
|-------|----------------------------------|--|-----|-----|-----|----|
| V_s | Supply voltage | | 8 | | 18 | V |
| V_o | Quiescent output voltage (pin 4) | | 6.1 | 6.9 | 7.7 | V |
| I_d | Quiescent drain current (pin 5) | | | 44 | 50 | mA |

AC CHARACTERISTICS (Refer to AC test circuit, $G_v = 40\text{ dB}$)

| | | | | | | |
|--------------|--------------------------|---|----------|----------------------|--|----------------------|
| P_o | Output power | $d = 10\%$ $f = 1\text{ kHz}$ $R_L = 4\Omega$ $R_L = 2\Omega$ $R_L = 3.2\Omega$ $R_L = 1.6\Omega$ | 5.5 9 | 6 10 7.5 12 | | W W W W |
| $V_{i(rms)}$ | Input saturation voltage | | 300 | | | mV |
| V_i | Input sensitivity | $f = 1\text{ kHz}$ $P_o = 0.5W$ $P_o = 6W$ $P_o = 0.5W$ $P_o 10W$ $R_L = 4\Omega$ $R_L = 4\Omega$ $R_L = 2\Omega$ $R_L = 2\Omega$ | | 14 55 10 50 | | mV mV mV mV |

ELECTRICAL CHARACTERISTICS (continued)

| Symbol | Parameter | Test conditions | Min. | Typ. | Max. | Unit |
|--------|----------------------------|--|--------------|--------------|------|-----------|
| B | Frequency response (-3 dB) | $P_o = 1W$ $R_L = 4\Omega$ | 40 to 15,000 | | | Hz |
| d | Distortion | $f = 1\text{ kHz}$ $P_o = 0.05\text{ to }4.5W$ $R_L = 4\Omega$ $P_o = 0.05\text{ to }7.5W$ $R_L = 2\Omega$ | | 0.15 0.15 | | % % |
| R_i | Input resistance (pin 1) | $f = 1\text{ kHz}$ | 70 | 150 | | $k\Omega$ |
| G_v | Voltage gain (open loop) | $f = 1\text{ kHz}$ $f = 10\text{ kHz}$ | | 80 60 | | dB dB |
| G_v | Voltage gain (closed loop) | $f = 1\text{ kHz}$ $R_L = 4\Omega$ | 39.3 | 40 | 40.3 | dB |
| e_N | Input noise voltage (0) | | | 1 | 5 | μV |
| i_N | Input noise current (0) | | | 60 | 200 | pA |
| η | Efficiency | $f = 1\text{ Hz}$ $P_o = 6W$ $R_L = 4\Omega$ $P_o = 10W$ $R_L = 2\Omega$ | | 69 65 | | % % |
| SVR | Supply voltage rejection | $f = 100\text{ Hz}$ $V_{\text{ripple}} = 0.5V$ $R_g = 10\text{ k}\Omega$ $R_L = 4\Omega$ | 30 | 36 | | dB |

(0) Filter with noise bandwidth: 22 Hz to 22 kHz

Figure 1. Quiescent output voltage vs. supply voltage

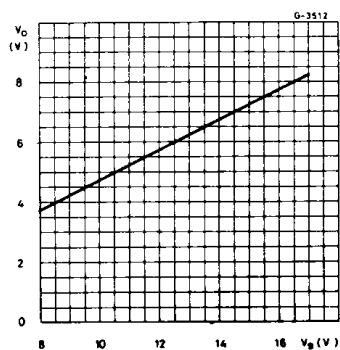


Figure 2. Quiescent drain current vs. supply voltage

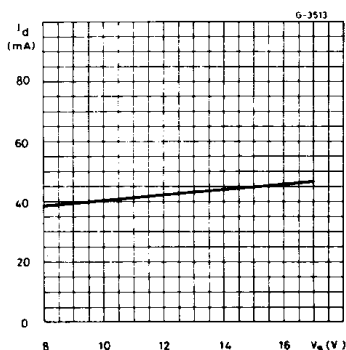


Figure 3. Output power vs. supply voltage

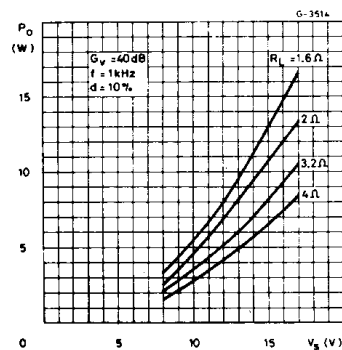


Figure 4. Output power vs. load resistance R_L

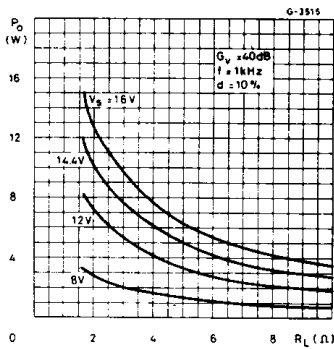


Figure 5. Gain vs. input sensitivity

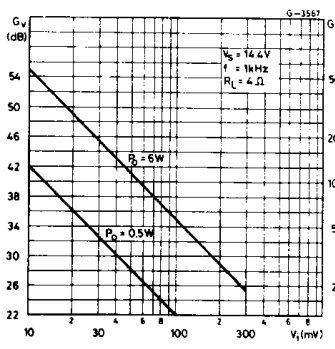


Figure 6. Gain vs. input sensitivity

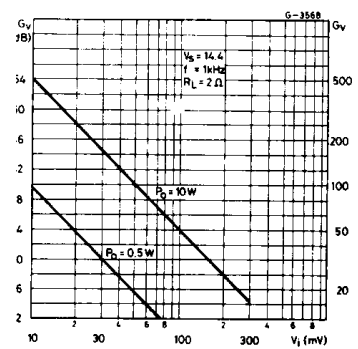


Figure 7. Distortion vs. output power

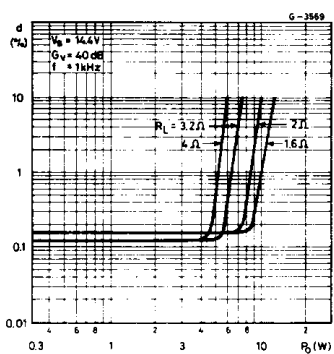


Figure 8. Distortion vs. frequency

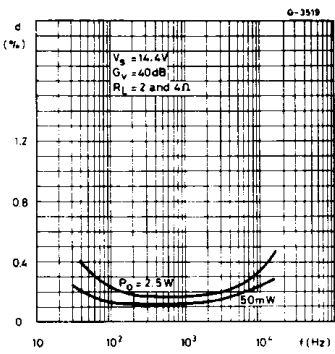


Figure 9. Supply voltage rejection vs. voltage gain

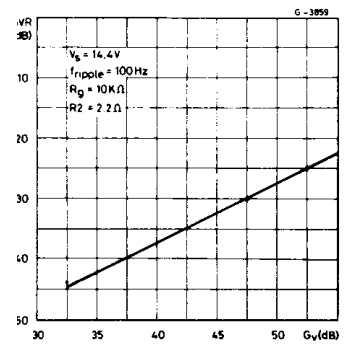


Figure 10. Supply voltage rejection vs. frequency

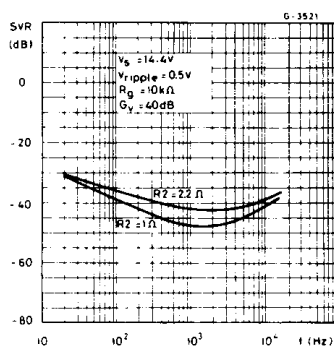


Figure 11. Power dissipation and efficiency vs. output power ($R_L = 4\ \Omega$)

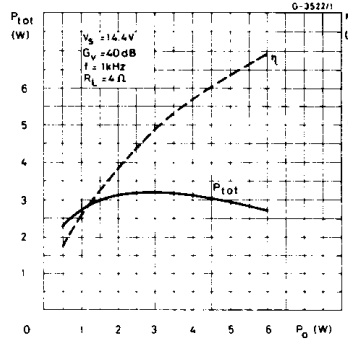


Figure 12. Power dissipation and efficiency vs. output power ($R_L = 2\ \Omega$)

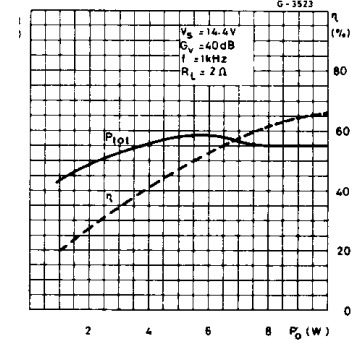


Figure 13. Maximum power dissipation vs. supply voltage (sine wave operation)

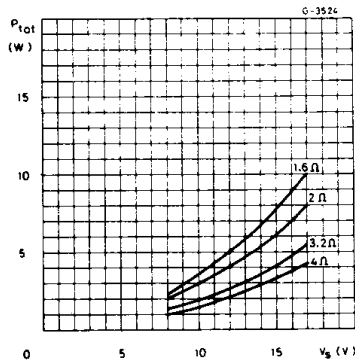


Figure 14. Maximum allowable power dissipation vs. ambient temperature

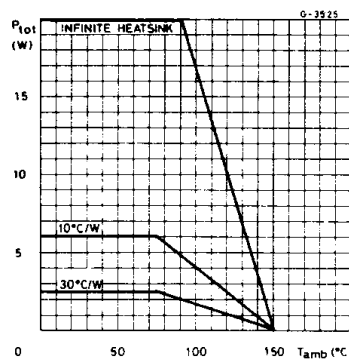
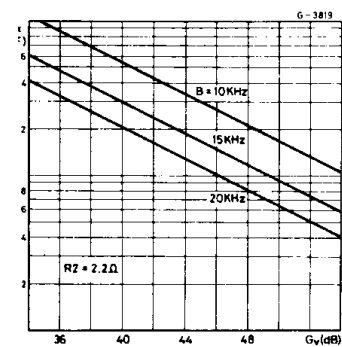


Figure 15. Typical values of capacitor (C_x) for different values of frequency reponse (B)



APPLICATION INFORMATION

Figure 16. Typical application circuit

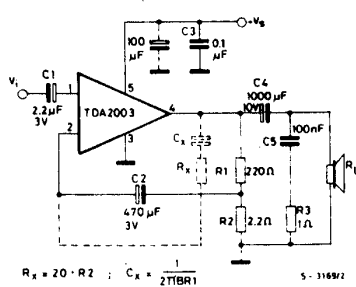
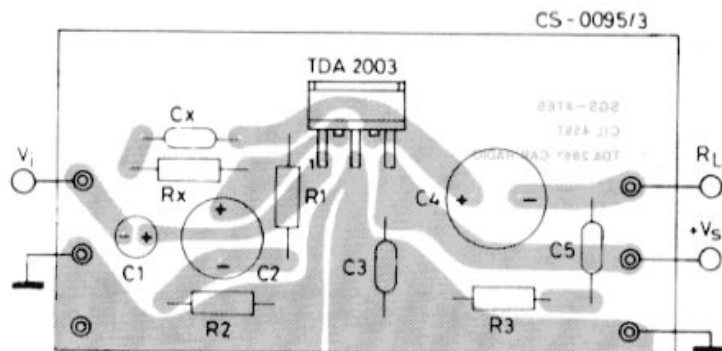


Figure 17. P.C. board and component layout for the circuit of fig. 16 (1 : 1 scale)



BUILT-IN PROTECTION SYSTEMS

Load dump voltage surge

The TDA 2003 has a circuit which enables it to withstand a voltage pulse train, on pin 5, of the type shown in fig. 19.

If the supply voltage peaks to more than 40V, then an LC filter must be inserted between the supply and pin 5, in order to assure that the pulses at pin 5 will be held within the limits shown in fig. 18.

A suggested LC network is shown in fig. 19. With this network, a train of pulses with amplitude up to 120V and width of 2 ms can be applied at point A. This type of protection is ON when the supply voltage (pulsed or DC) exceeds 18V. For this reason the maximum operating supply voltage is 18V.

Figure 18.

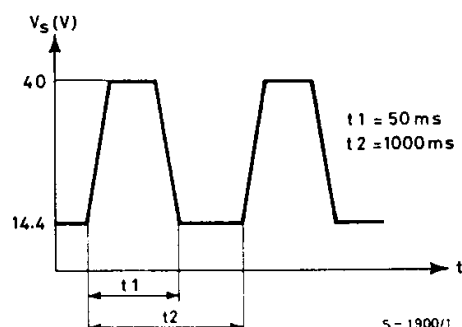
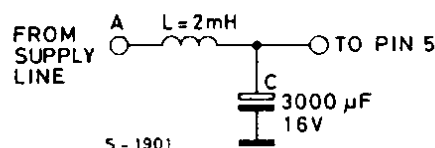


Figure 19.



Short-circuit (AC and DC conditions)

The TDA 2003 can withstand a permanent short-circuit on the output for a supply voltage up to 16V.

Polarity inversion

High current (up to 5A) can be handled by the device with no damage for a longer period than the blow-out time of a quick 1A fuse (normally connected in series with the supply).

This feature is added to avoid destruction if, during fitting to the car, a mistake on the connection of the supply is made.

Open ground

When the radio is in the ON condition and the ground is accidentally opened, a standard audio amplifier will be damaged. On the TDA 2003 protection diodes are included to avoid any damage.

Inductive load

A protection diode is provided between pin 4 and 5 (see the internal schematic diagram) to allow use of the TDA 2003 with inductive loads.

In particular, the TDA 2003 can drive a coupling transformer for audio modulation.

DC voltage

The maximum operating DC voltage on the TDA 2003 is 18V.

However the device can withstand a DC voltage up to 28V with no damage. This could occur during winter if two batteries were series connected to crank the engine.

Thermal shut-down

The presence of a thermal limiting circuit offers the following advantages:

- 1) an overload on the output (even if it is permanent), or an excessive ambient temperature can be easily withstood.
- 2) the heat-sink can have a smaller factor compared with that of a conventional circuit. There is no device damage in the case of excessive junction temperature: all that happens is that P_o (and therefore P_{tot}) and I_d are reduced.

Figure 20. Output power and drain current vs. case temperature ($R_L = 4\Omega$)

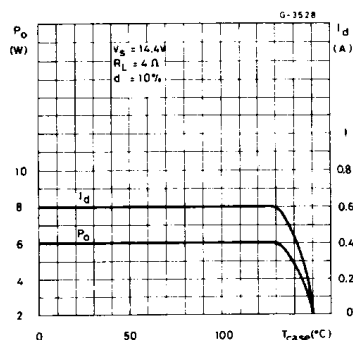
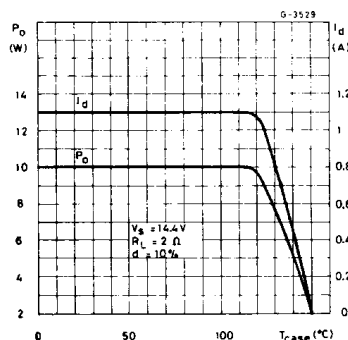


Figure 21. Output power and drain current vs. case temperature ($R_L = 2\Omega$)



PRATICAL CONSIDERATION**Printed circuit board**

The layout shown in fig. 17 is recommended. If different layouts are used, the ground points of input 1 and input 2 must be well decoupled from the ground of the output through which a rather high current flows.

Assembly suggestion

No electrical insulation is required between the

package and the heat-sink. Pin length should be as short as possible. The soldering temperature must not exceed 260°C for 12 seconds.

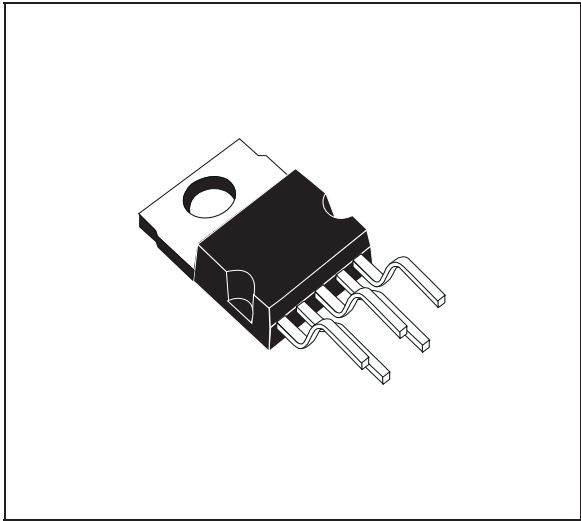
Application suggestions

The recommended component values are those shown in the application circuits of fig. 16. Different values can be used. The following table is intended to aid the car-radio designer.

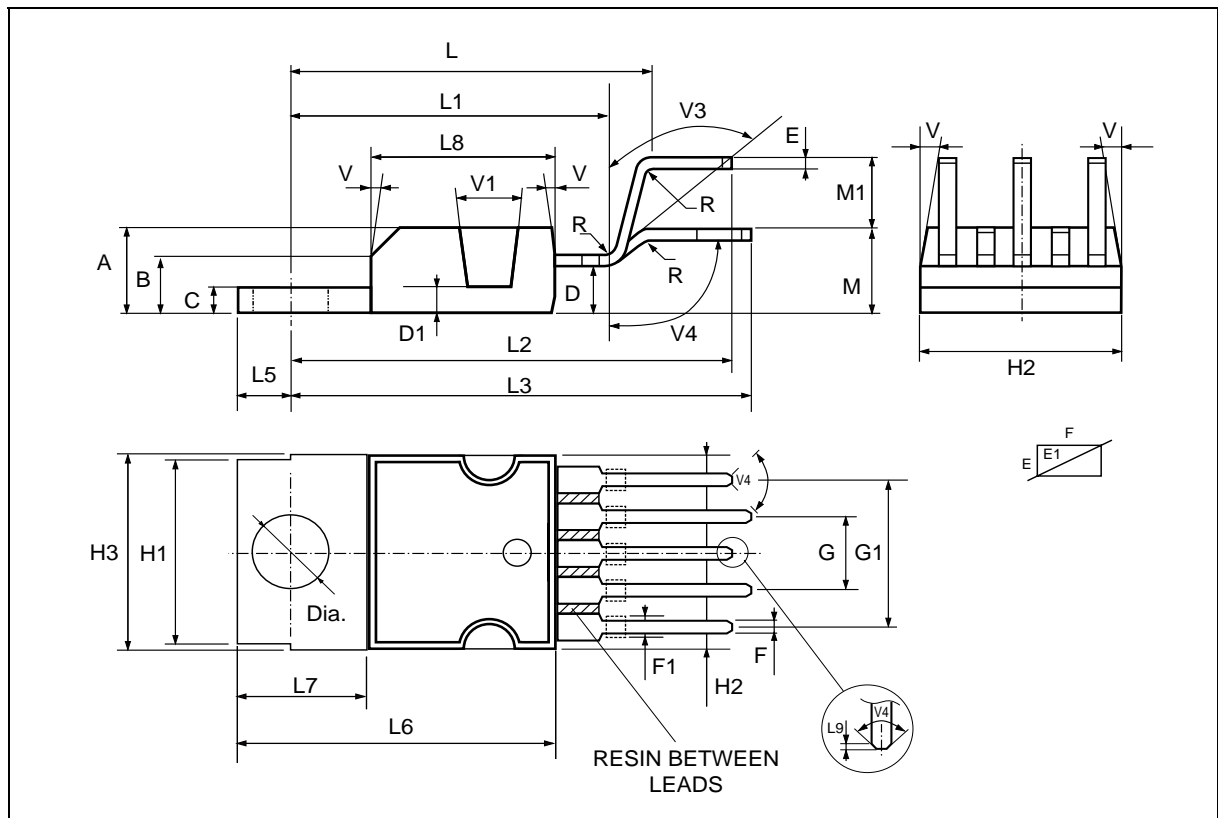
| Component | Recommended value | Purpose | Larger than recommended value | Smaller than recommended value C1 |
|----------------|-----------------------------|-------------------------|--|--|
| C1 | 2.2 μ F | Input DC decoupling | | Noise at switch-on, switch-off |
| C2 | 470 μ F | Ripple rejection | | Degradation of SVR |
| C3 | 0.1 μ F | Supply bypassing | | Danger of oscillation |
| C4 | 1000 μ F | Output coupling to load | | Higher low frequency cutoff |
| C5 | 0.1 μ F | Frequency stability | | Danger of oscillation at high frequencies with inductive loads |
| C _x | $\cong \frac{1}{2\pi B R1}$ | Upper frequency cutoff | Lower bandwidth | Larger bandwidth |
| R1 | $(G_v - 1) \bullet R2$ | Setting of gain | | Increase of drain current |
| R2 | 2.2 Ω | Setting of gain and SVR | Degradation of SVR | |
| R3 | 1 Ω | Frequency stability | Danger of oscillation at high frequencies with inductive loads | |
| R _x | $\cong 20 R2$ | Upper frequency cutoff | Poor high frequency attenuation | Danger of oscillation |

| DIM. | mm | | | inch | | |
|------|------------|-------|-------|-------|-------|-------|
| | MIN. | TYP. | MAX. | MIN. | TYP. | MAX. |
| A | | | 4.8 | | | 0.189 |
| C | | | 1.37 | | | 0.054 |
| D | 2.4 | | 2.8 | 0.094 | | 0.110 |
| D1 | 1.2 | | 1.35 | 0.047 | | 0.053 |
| E | 0.35 | | 0.55 | 0.014 | | 0.022 |
| E1 | 0.76 | | 1.19 | 0.030 | | 0.047 |
| F | 0.8 | | 1.05 | 0.031 | | 0.041 |
| F1 | 1 | | 1.4 | 0.039 | | 0.055 |
| G | 3.2 | 3.4 | 3.6 | 0.126 | 0.134 | 0.142 |
| G1 | 6.6 | 6.8 | 7 | 0.260 | 0.268 | 0.276 |
| H2 | | | 10.4 | | | 0.409 |
| H3 | 10.05 | | 10.4 | 0.396 | | 0.409 |
| L | 17.55 | 17.85 | 18.15 | 0.691 | 0.703 | 0.715 |
| L1 | 15.55 | 15.75 | 15.95 | 0.612 | 0.620 | 0.628 |
| L2 | 21.2 | 21.4 | 21.6 | 0.831 | 0.843 | 0.850 |
| L3 | 22.3 | 22.5 | 22.7 | 0.878 | 0.886 | 0.894 |
| L4 | | | 1.29 | | | 0.051 |
| L5 | 2.6 | | 3 | 0.102 | | 0.118 |
| L6 | 15.1 | | 15.8 | 0.594 | | 0.622 |
| L7 | 6 | | 6.6 | 0.236 | | 0.260 |
| L9 | | 0.2 | | | 0.008 | |
| M | 4.23 | 4.5 | 4.75 | 0.167 | 0.177 | 0.187 |
| M1 | 3.75 | 4 | 4.25 | 0.148 | 0.157 | 0.167 |
| V4 | 40° (typ.) | | | | | |

OUTLINE AND MECHANICAL DATA



Pentawatt V



Information furnished is believed to be accurate and reliable. However, STMicroelectronics assumes no responsibility for the consequences of use of such information nor for any infringement of patents or other rights of third parties which may result from its use. No license is granted by implication or otherwise under any patent or patent rights of STMicroelectronics. Specification mentioned in this publication are subject to change without notice. This publication supersedes and replaces all information previously supplied. STMicroelectronics products are not authorized for use as critical components in life support devices or systems without express written approval of STMicroelectronics.

The ST logo is a registered trademark of STMicroelectronics

© 1998 STMicroelectronics – Printed in Italy – All Rights Reserved

STMicroelectronics GROUP OF COMPANIES

Australia - Brazil - Canada - China - France - Germany - Italy - Japan - Korea - Malaysia - Malta - Mexico - Morocco - The Netherlands - Singapore - Spain - Sweden - Switzerland - Taiwan - Thailand - United Kingdom - U.S.A.

<http://www.st.com>